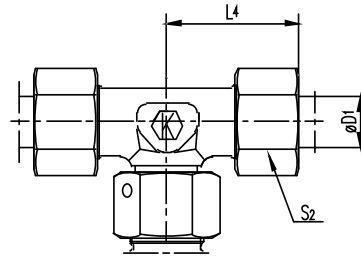
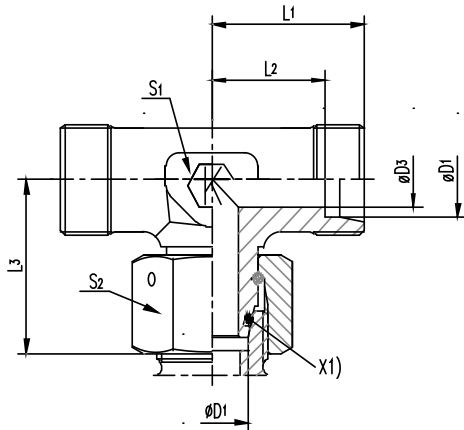


ET Swivel nut branch tee
24° cone end/24° DKO swivel

Order code without nut and cutting ring
XOTP....(X522...)

Order code with nut and cutting ring
OTP....(522...)



X1) O-ring OR

Series	Tube ØD1	D3	L1	L2	L3	L4	S1	S2	Weight g/1 piece	ITEM CODE	ITEM NAME	PN (bar)
L NB	6	4.0	19	12.0	26.0	27	12	14	42	522220606	OTP6NB12	315
	8	6.0	21	14.0	27.5	29	12	17	50	522220808	OTP8NB14	315
	10	8.0	22	15.0	29.0	30	17	19	84	522221010	OTP10NB16	315
	12	10.0	24	17.0	29.5	32	17	22	86	522221212	OTP12NB18	315
	15	12.0	28	21.0	32.5	36	19	27	143	522221515	OTP15NB22	315
	18	15.0	31	23.5	35.5	40	24	32	206	522221818	OTP18NB26	315
	22	19.0	35	27.5	38.5	44	27	36	298	522222222	OTP22NB30	160
	28	24.0	38	30.5	41.5	47	36	41	410	522222828	OTP28NB36	160
	35	30.0	45	34.5	51.0	56	41	50	679	522223535	OTP35NB45	160
42	36.0	51	40.0	56.0	63	50	60	932	522224242	OTP42NB52	160	
S YB	6	4.0	23	16.0	27.0	31	12	17	63	522320606	OTP6YB14	630
	8	5.0	24	17.0	27.5	32	17	19	79	522320808	OTP8YB16	630
	10	7.0	25	17.5	30.0	34	17	22	100	522321010	OTP10YB18	630
	12	8.0	29	21.5	31.0	38	17	24	149	522321212	OTP12YB20	630
	14	10.0	30	22.0	35.0	40	19	27	222	522321414	OTP14YB22	630
	16	12.0	33	24.5	36.5	43	24	30	236	522321616	OTP16YB24	400
	20	16.0	37	26.5	44.5	48	27	36	350	522322020	OTP20YB30	400
	25	20.0	42	30.0	50.0	54	36	46	646	522322525	OTP25YB36	400
	30	25.0	49	35.5	55.0	62	41	50	873	522323030	OTP30YB42	400
38	32.0	57	41.0	63.0	72	50	60	1328	522323838	OTP38YB52	315	

LL= very light series
L= light series
S= heavy series

$\frac{\text{PN (bar)}}{10} = \text{PN (MPa)}$

Zinc plated=Cr(VI)-free