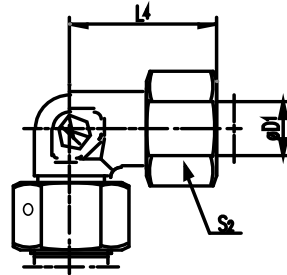
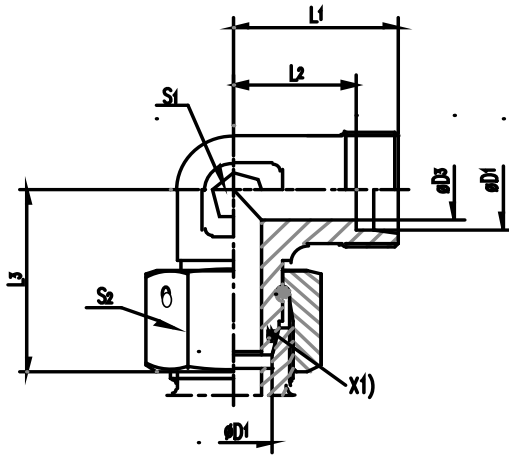


EW Swivel nut elbow
24° cone end/24° DKO swivel

EW Winkel-Stutzen mit Dichtkegel 24° Anschluss / 24° DKO Dichtkegel

Order code without nut and cutting ring
XTDP....(X513...)

Order code with nut and cutting ring
TDP....(513...)



X1) O-ring OR

Series	Tube	D3	L1	L2	L3	L4	S1	S2	Weight g/1 piece	ITEM CODE	ITEM NAME	PN (bar)
	ØD1 Rohr ØD1									PREMOEM Nr.:	Bezeichnung	
L	6	4.0	19	12.0	26.0	27	12	14	33	513200606	TDP6NB	315
	8	6.0	21	14.0	27.5	29	12	17	41	513200808	TDP8NB	315
	10	8.0	22	15.0	29.0	30	14	19	52	513201010	TDP10NB	315
	12	10.0	24	17.0	29.5	32	17	22	68	513201212	TDP12NB	315
	15	12.0	28	21.0	32.5	36	19	27	120	513201515	TDP15NB	315
	18	15.0	31	23.5	35.5	40	24	32	170	513201818	TDP18NB	315
	22	19.0	35	27.5	38.5	44	27	36	225	513202222	TDP22NB	160
	28	24.0	38	30.5	41.5	47	36	41	346	513202828	TDP28NB	160
	35	30.0	45	34.5	51.0	56	41	50	529	513203535	TDP35NB	160
	42	36.0	51	40.0	56.0	63	50	60	801	513204242	TDP42NB	160
S	6	4.0	23	16.0	27.0	31	12	17	48	513300606	TDP6YB	630
	8	5.0	24	17.0	27.5	32	14	19	60	513300808	TDP8YB	630
	10	7.0	25	17.5	30.0	34	17	22	83	513301010	TDP10YB	630
	12	8.0	29	21.5	31.0	38	17	24	116	513301212	TDP12YB	630
	14	10.0	30	22.0	35.0	40	19	27	177	513301414	TDP14YB	630
	16	12.0	33	24.5	36.5	43	24	30	188	513301616	TDP16YB	400
	20	16.0	37	26.5	44.5	48	27	36	299	513302020	TDP20YB	400
	25	20.0	42	30.0	50.0	54	36	46	550	513302525	TDP25YB	400
	30	25.0	49	35.5	55.0	62	41	50	738	513303030	TDP30YB	400
	38	32.0	57	41.0	63.0	72	50	60	1119	513303838	TDP38YB	315

LL= very light series
L= light series
S= heavy series

PN (bar) = PN (MPa)
10
Zinc plated=Cr(VI)-free