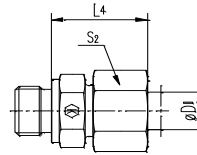
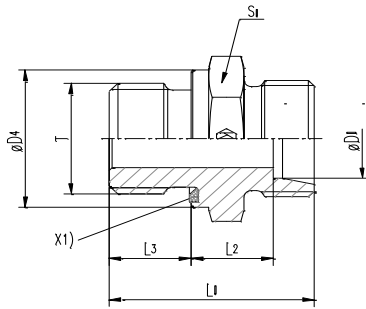


GE/M-ED Male stud connector
Male metric thread-ED (ISO 9974) EO 24° cone end

RE/M-PLX Gerader Einschraub-Stutzen (metrisch) (mit Dichtung)

Order code without nut and cutting ring
XRE...(X502....)

Order code with nut and cutting ring
RE...(502....)



X1) Eolastic-sealing ED

Series	Tube	T	D4	L1	L2	L3	L4	S1	S2	Weight g/1 piece	ITEM CODE	ITEM NAME	PN (bar)
	ØD1												
L NB	6	M10x1	13,9	23.5	8.5	8	23	14	14	13	502220610	RE6NBM10PLX	315
	8	M12x1,5	16,9	29.0	10.0	12	25	17	17	22	502220812	RE8NBM12PLX	315
	10	M14x1,5	18,9	30.0	11.0	12	26	19	19	29	502221014	RE10NBM14PLX	315
	10	M12x1,5	16,9	30.0	11.0	12	26	17	19	23	502221012	RE10NBM12PLX	315
	10	M16x1,5	21,9	31.0	12.5	12	24	22	19	41	502221016	RE10NBM16PLX	315
	10	M18x1,5	23,9	31.5	12.5	12	27	24	19	51	502221018	RE10NBM18PLX	315
	10	M22x1,5	26,9	35.0	14.0	14	29	27	19	83	502221022	RE10NBM22PLX	315
	12	M16x1,5	21,9	31.5	12.5	12	27	22	22	40	502221216	RE12NBM16PLX	315
	12	M14x1,5	18,9	30.0	11.0	12	26	19	22	30	502221214	RE12NBM14PLX	315
	12	M18x1,5	23,9	31.5	12.5	12	27	24	22	45	502221218	RE12NBM18PLX	315
	12	M22x1,5	26,9	35.0	14.0	14	29	27	22	80	502221222	RE12NBM22PLX	315
	15	M18x1,5	23,9	32.5	13.5	12	29	24	27	51	502221518	RE15NBM18PLX	315
	15	M16x1,5	21,9	32.0	13.0	12	28	24	27	49	502221516	RE15NBM16PLX	315
	15	M22x1,5	26,9	36.0	15.0	14	30	27	27	81	502221522	RE15NBM22PLX	315
	18	M22x1,5	26,9	36.0	14.5	14	31	27	32	74	502221822	RE18NBM22PLX	315
	18	M18x1,5	23,9	33.5	14.0	12	30	27	32	66	502221818	RE18NBM18PLX	315
	22	M26x1,5	31,9	40.0	16.5	16	33	32	36	100	502222226	RE22NBM26PLX	160
	22	M22x1,5	26,9	38.0	16.5	14	33	32	36	100	502222222	RE22NBM22PLX	160
28	M33x2	39,9	43.0	17.5	18	34	41	41	167	502222833	RE28NBM33PLX	160	
35	M42x2	49,9	48.0	17.5	20	39	50	50	286	502223542	RE35NBM42PLX	160	
42	M48x2	54,9	52.0	19.0	22	42	55	60	353	502224248	RE42NBM48PLX	160	
S YB	6	M12x1,5	16,9	32.0	13.0	12	28	17	17	30	502320612	RE6YBM12PLX	630
	8	M14x1,5	18,9	34.0	15.0	12	30	19	19	42	502320814	RE8YBM14PLX	630
	10	M16x1,5	21,9	34.5	15.0	12	31	22	22	54	502321016	RE10YBM16PLX	630
	12	M18x1,5	23,9	36.5	17.0	12	33	24	24	71	502321218	RE12YBM18PLX	630
	12	M14x1,5	18,9	36.0	16.5	12	33	22	24	60	502321214	RE12YBM14PLX	630
	12	M22x1,5	26,9	39.0	17.5	14	34	27	24	103	502321222	RE12YBM22PLX	630
	14	M20x1,5	25,9	41.0	19.0	14	37	27	27	97	502321420	RE14YBM20PLX	630
	16	M22x1,5	26,9	41.0	18.5	14	37	27	30	97	502321622	RE16YBM22PLX	400
	16	M18x1,5	23,9	38.5	18.0	12	36	27	30	78	502321618	RE16YBM18PLX	400
	20	M27x2	31,9	47.0	20.5	16	42	32	36	152	502322027	RE20YBM27PLX	400
	25	M33x2	39,9	53.0	23.0	18	47	41	46	268	502322533	RE25YBM33PLX	400
	30	M42x2	49,9	57.0	23.5	20	50	50	50	423	502323042	RE30YBM42PLX	400
	38	M48x2	54,9	64.0	26.0	22	57	55	60	574	502323848	RE38YBM48PLX	315

L=light series S= heavy series

PN (bar) = PN (MPa)

10

Zinc plated=Cr(VI)-free