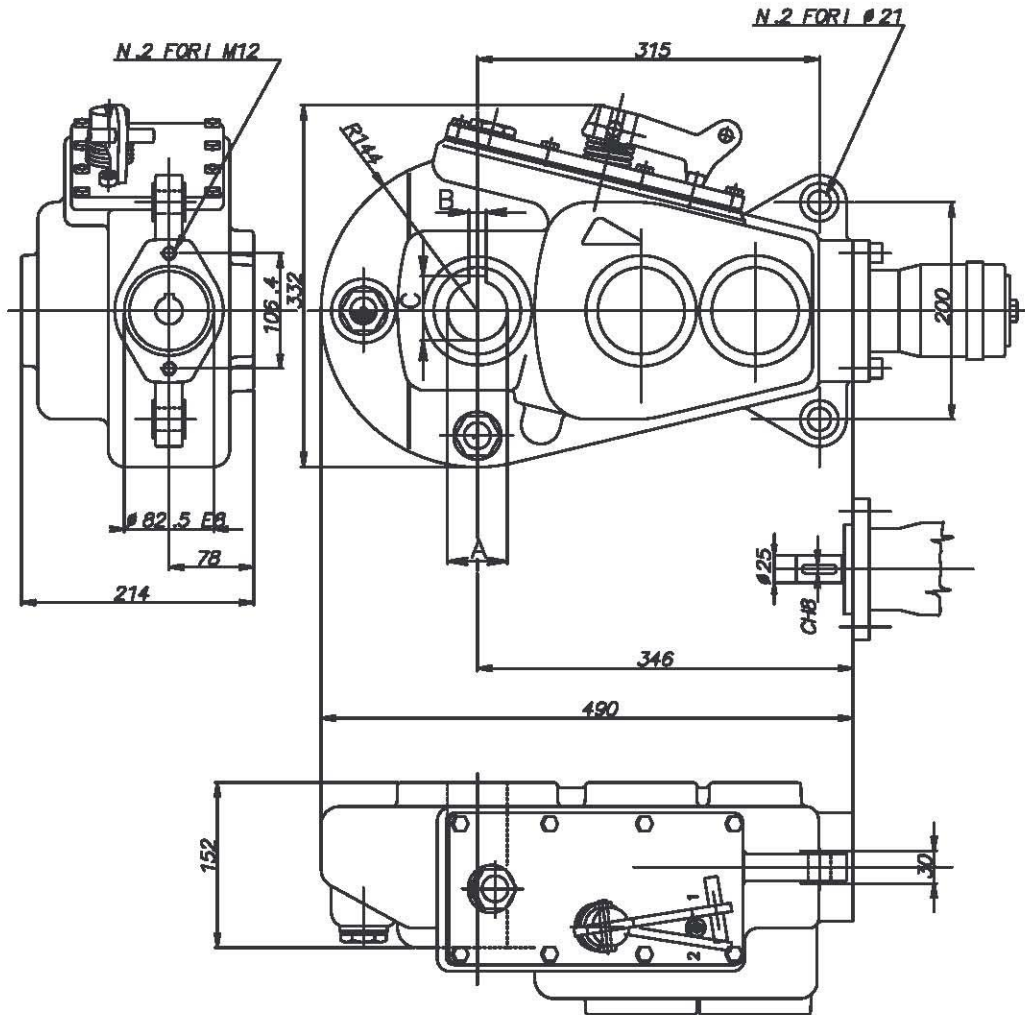


Riduttore RT 400-2V



| Marca | A EB | B EB | C | Peso kg. | Rapporto | Mt.in uscita N m | Olío Tipo | Quantità Kg | Temperatura d'impiego: |
|-------|---------|---------|------|-------------|------------------------|---------------------|--------------|-------------|---------------------------|
| 9220 | 45 | 12 | 48,8 | | | | | | |
| 9221 | 50 | 14 | 54 | 55 | 1) 35,2:1 2) 17,8:1 | 3900 | SAE 90 EP | 4.9 | -20° C +80° C |
| 9222 | 55 | 16 | 59,5 | | | | | | |

| Bestell-Nr. | Code | Bezeichnung |
|---------------|-------------|---|
| 520-010-02450 | RT400/45-2V | Kratzbodengetriebe-9220 35,2(17,8):1 3900Nm SAE A25 |
| 520-010-02500 | RT400/50-2V | Kratzbodengetriebe-9221 35,2(17,8):1 3900Nm SAE A25 |
| 520-010-02550 | RT400/55-2V | Kratzbodengetriebe-9222 35,2(17,8):1 3900Nm SAE A25 |